

**NOTES**

1. THIS DRAWING IS COPYRIGHT AND SHOULD NOT BE REPRODUCED WITHOUT APPROVAL.
2. THIS DRAWING IS TO BE READ IN CONJUNCTION WITH THE ARCHITECTS DRAWINGS. ANY DISCREPANCIES ARE TO BE BROUGHT TO THE ATTENTION OF BOTH PARTIES IMMEDIATELY.
3. ANY DIMENSIONS/LEVELS INDICATED 'ref.' REFER TO ASSUMED/EXISTING DIMENSIONS WHICH ARE TO BE SITE CHECKED PRIOR TO THE COMMENCEMENT OF ANY WORK.

**PVC COATED GABION NOTES**

G1. THE GABIONS SHALL BE TO THE SIZES SHOWN WITH FIXED DIAPHRAGMS AT 1.0m CENTRES. THE GABION SHALL BE MANUFACTURED FROM STEEL WIRE TO BS 1052 OF 2.7mm DIAMETER AND GALVANISED TO BS 443 WITH A BONDED GREY PVC COATING OF MEAN THICKNESS OF 0.5mm TO GIVE OVERALL DIAMETER OF 3.7mm. THE MESH FABRIC SHALL BE FORMED FROM FLEXIBLE DOUBLE TWIST HEXAGONAL WOVEN WIRE MESH OF 80mm OPENING SIZE. ALL MESH EDGES SHALL BE REINFORCED WITH A GALVANISED PVC COATED SELVEDGE WIRE OF 3.4mm CORE DIAMETER, OVERALL 4.4mm DIAMETER. ALL JOINTS AND CONNECTIONS OF GABION UNITS ARE TO BE FORMED USING CONTINUOUS LACING WIRES AND/OR HIGH TENSILE STEEL "C" RINGS FROM 3.0mm WIRE, ATTACHED WITH A PNEUMATIC ASSEMBLY TOOL. PVC COATED LACING WIRE SHALL BE 2.2mm CORE DIAMETER AND TO THE SAME SPECIFICATION AS THE BODY MESH. BBA CERTIFICATION IS REQUIRED FOR THIS PRODUCT FOR UP TO 120 YEARS LIFE EXPECTANCY.

G2. FILLING IS TO BE CARRIED OUT BY MECHANICAL MEANS USING INTERLOCKING GRANITE QUARRY STONE OF SIZE 150-200mm.

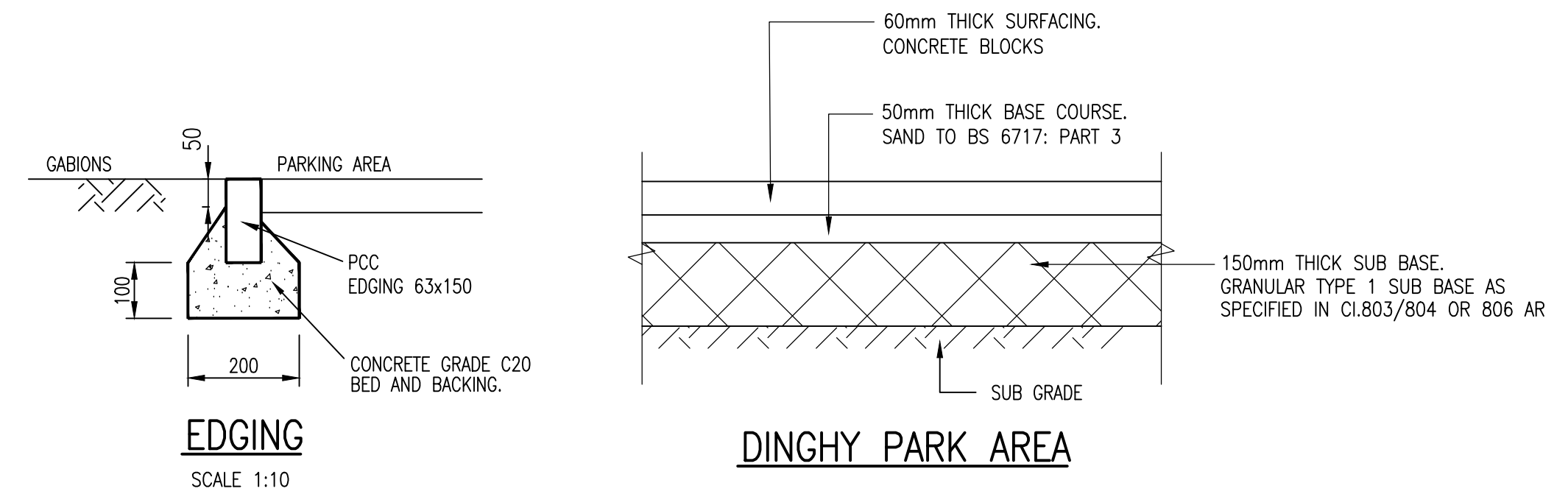
**REPLACEMENT TREE DETAILS**

PYRUS CALLERYANA CHANTICLEER OR REDSPIRE SOURCED FROM CONTAINER GROWN STOCK FROM BARCHAMS AT 12/14cm GIRTH IN 75hr POT WITH TREE PIT DESIGN TO CONNECT EXISTING SOILS AT THE LOCATION OF THE TREE.

Crown Copyright 2005. All rights reserved. Licence number 100020449

**KEY**

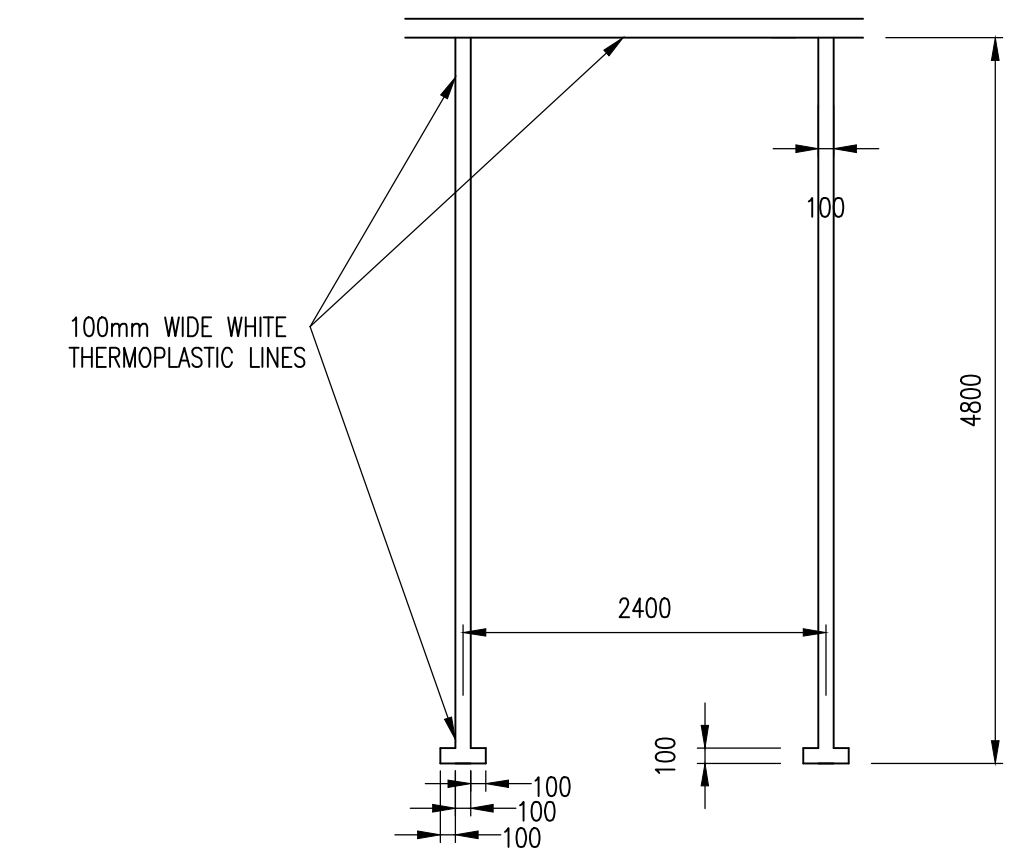
- PCC EDGING (LENGTH = 51.01m)
- [Hatched Box] TARMAC (AREA = 708.67m<sup>2</sup>)
- [Diagonal Lines Box] GABION WALL (AREA = 87.24m<sup>2</sup>)
- [Cross-hatched Box] BLOCK PAVING (AREA = 153.20m<sup>2</sup>)
- TIMBER BENCH RAIL (LENGTH = 82.07m)



25mm THICK CLOSE GRADED BITUMEN MACADAM WEARING COURSE 10mm NOMINAL SIZE TO BS 4987 PART 1 :1993 CI 7.4 FINES OF CRUSHED LIMESTONE AND/OR NATURAL SAND. OVERLAY EXISTING SCARIFIED SURFACE.

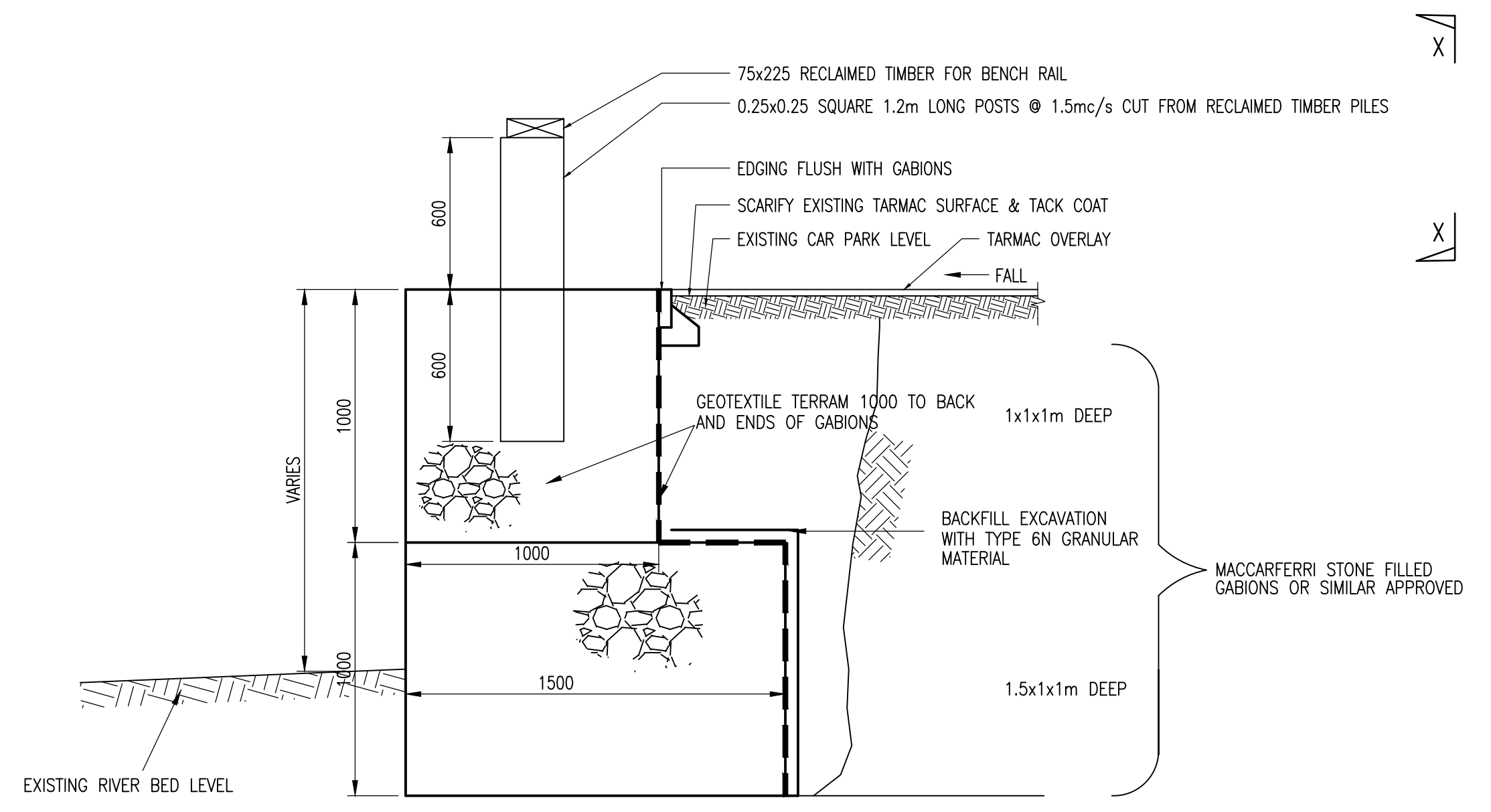
**CAR PARKING TARMAC CONSTRUCTION**

SCALE 1:10



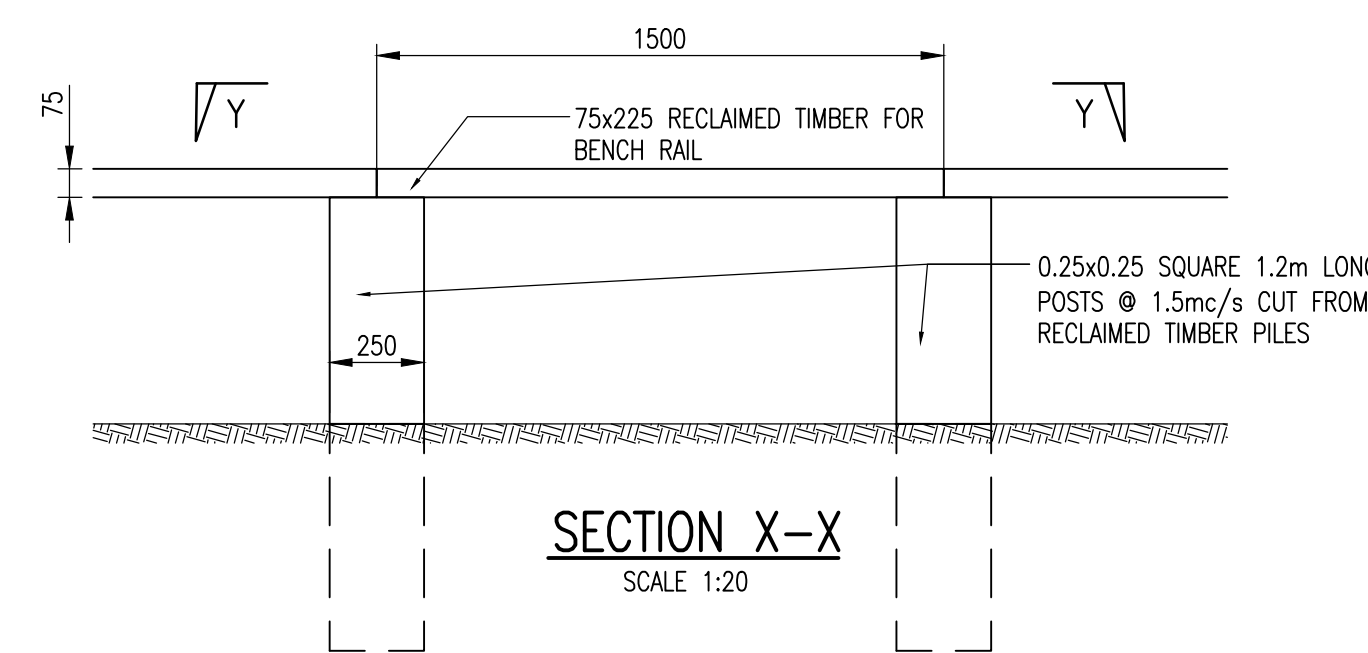
**WHITE LINING**

SCALE 1:50



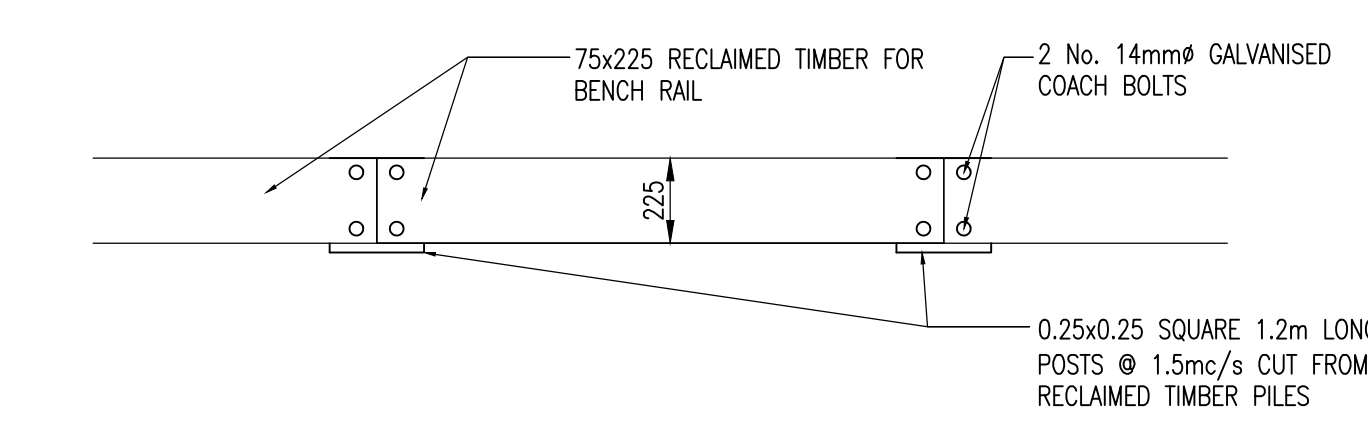
**GABION WALL DETAILS**

SCALE 1:20



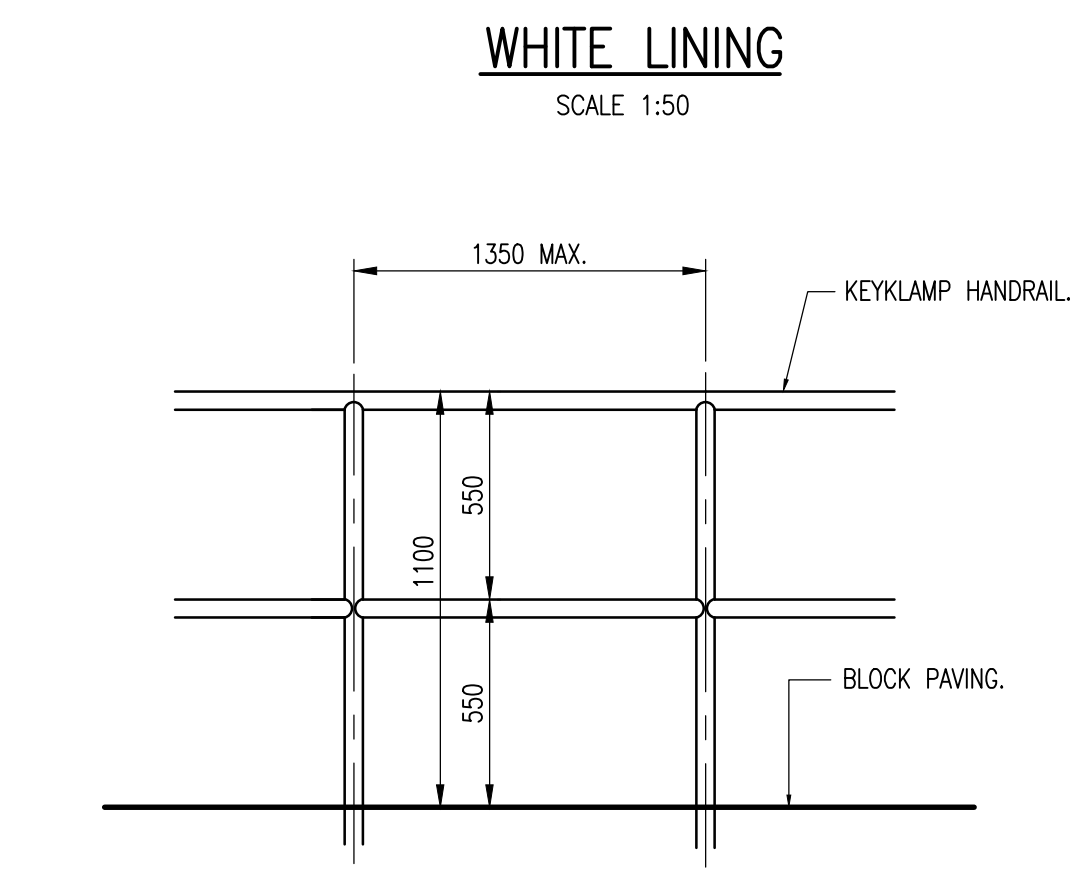
**SECTION X-X**

SCALE 1:20



**SECTION Y-Y**

SCALE 1:20



**TYPICAL ELEVATION ON KEYLUMP HANDRAIL**

SCALE 1:20

**PRELIMINARY**

P8	PRELIMINARY	HDL/02.18	HDL/02.18	HDL/02.18
P7	PRELIMINARY	HDL/11.14	HDL/11.14	HDL/11.14
P6	PRELIMINARY	HDL/11.14	HDL/11.14	HDL/11.14
P5	PRELIMINARY	HDL/10.14	HDL/10.14	HDL/10.14
P4	PRELIMINARY	HDL/10.14	HDL/10.14	HDL/10.14
P3	PRELIMINARY	HDL/10.14	HDL/10.14	HDL/10.14
P2	PRELIMINARY	HDL/05.14	HDL/05.14	HDL/05.14
P1	PRELIMINARY	HDL/05.14	HDL/05.14	HDL/05.14

Version	Amendment	Revised by and date	Checked by and date	Approved by and date
ORIGINAL DRAWING SIZE - A1	X-REFS: .			
CAD REF. .				

Client: **PREMIER MARINAS LTD**

Project: **SWANWICK SHORE ROAD CAR PARK**

Drawing Title: **PROPOSED LAYOUT**

Purpose: **PRELIMINARY** | Drawn HDL | Scale: **1:200 @ A1**

Issuing Office: **SWANMORE** | Drawing Number: **14-2310-102** | Version: **P8**

Telephone: **01489 893 596**